

A

B

C

D

E

F

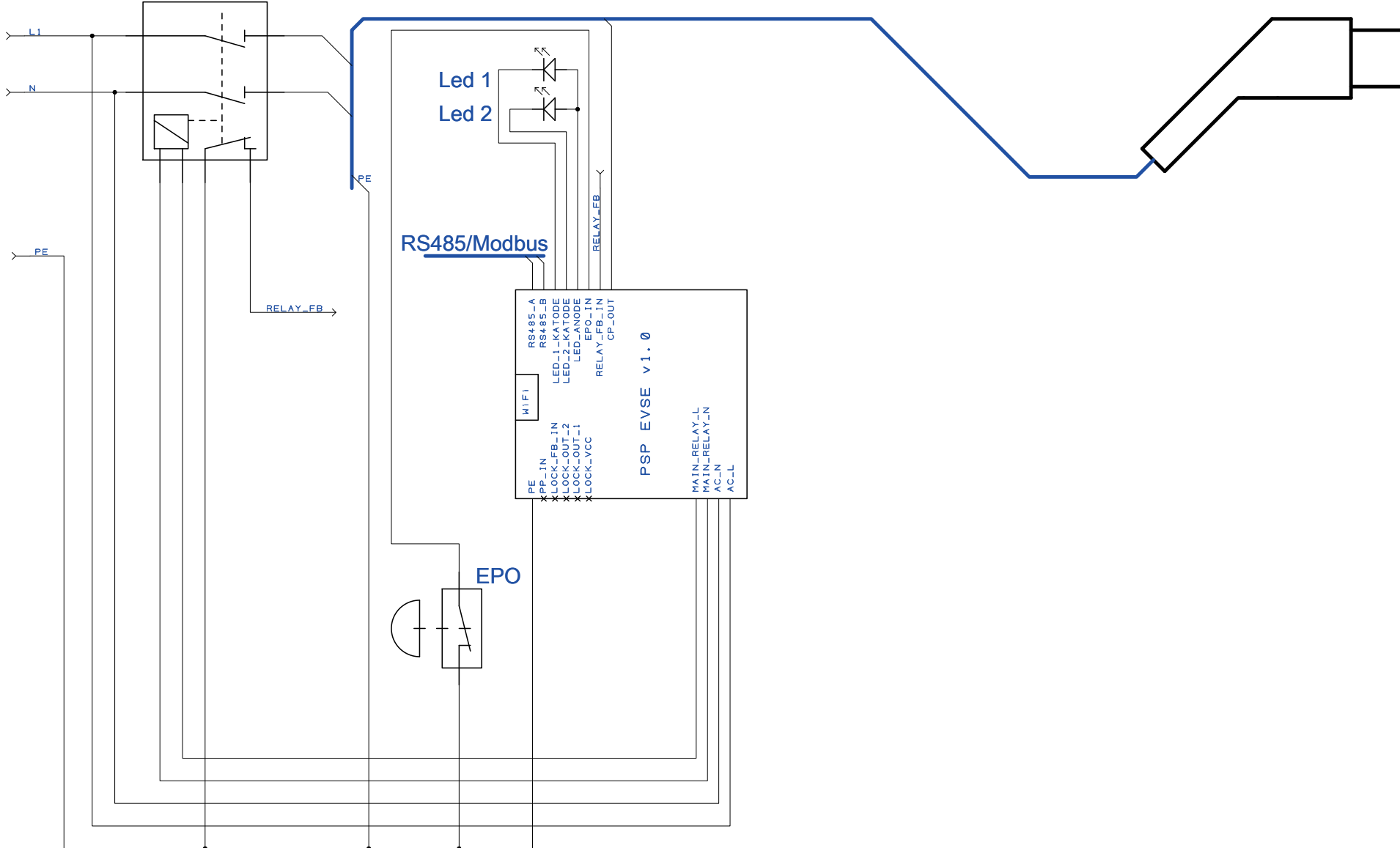
1


2

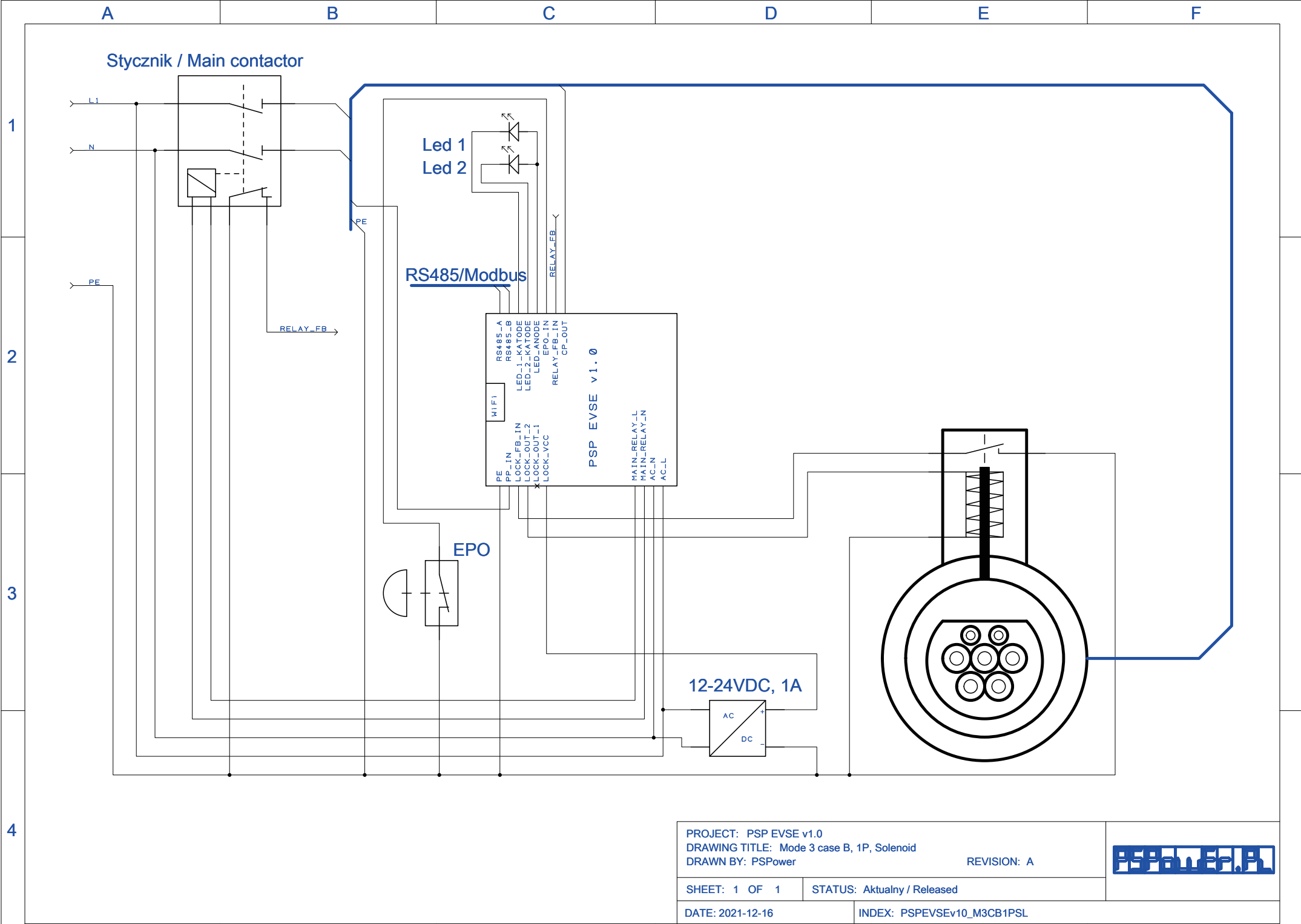
3


4

### Stycznik / Main contactor



PROJECT: PSP EVSE v1.0		
DRAWING TITLE: Mode 3 case C, 1P		
DRAWN BY: PSPower		
REVISION: A		
SHEET: 1 OF 1	STATUS: Aktualny / Released	
DATE: 2021-12-16	INDEX: PSPEVSEv10_M3CC1P	



PROJECT: PSP EVSE v1.0		
DRAWING TITLE: Mode 3 case B, 1P, Solenoid		
DRAWN BY: PSPower		
SHEET: 1 OF 1	STATUS: Aktualny / Released	
DATE: 2021-12-16		INDEX: PSPEVSEv10_M3CB1PSL

A

B

C

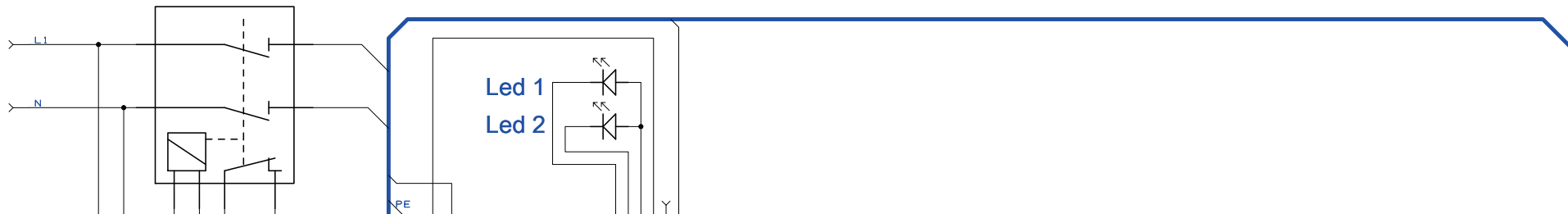
D

E

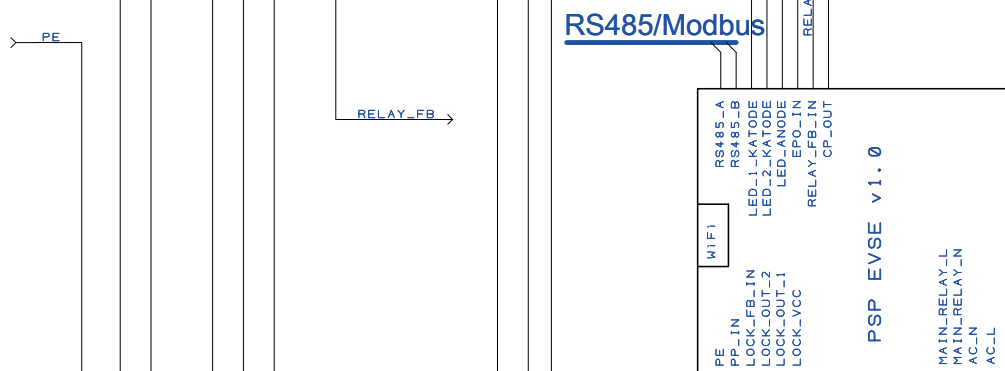
F

Stycznik / Main contactor

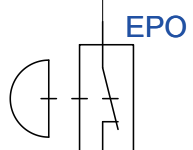
1



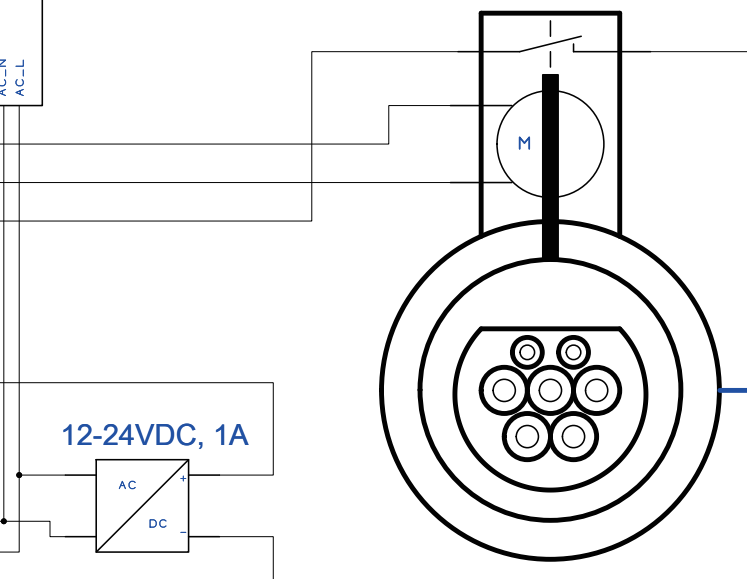
2



3



4



PROJECT: PSP EVSE v1.0  
 DRAWING TITLE: Mode 3 case B, 1P, Servomotor  
 DRAWN BY: PSpower

REVISION: A



SHEET: 1 OF 1

STATUS: Aktualny / Released

DATE: 2021-12-16

INDEX: PSPEVSEv10\_M3CB1PSM

A

B

C

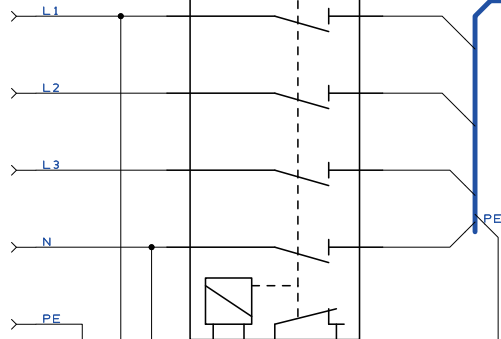
D

E

F

## Stycznik / Main contactor

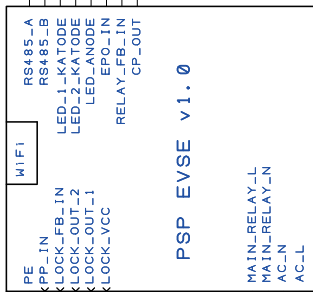
1



2

Led 1  
Led 2

RS485/Modbus



3

EPO

4

PROJECT: PSP EVSE v1.0  
 DRAWING TITLE: Mode 3 case C, 3P  
 DRAWN BY: PSPower

REVISION: A



SHEET: 1 OF 1

STATUS: Aktualny / Released

DATE: 2021-12-16

INDEX: PSPEVSEv10\_M3CC3P

A

B

C

D

E

F

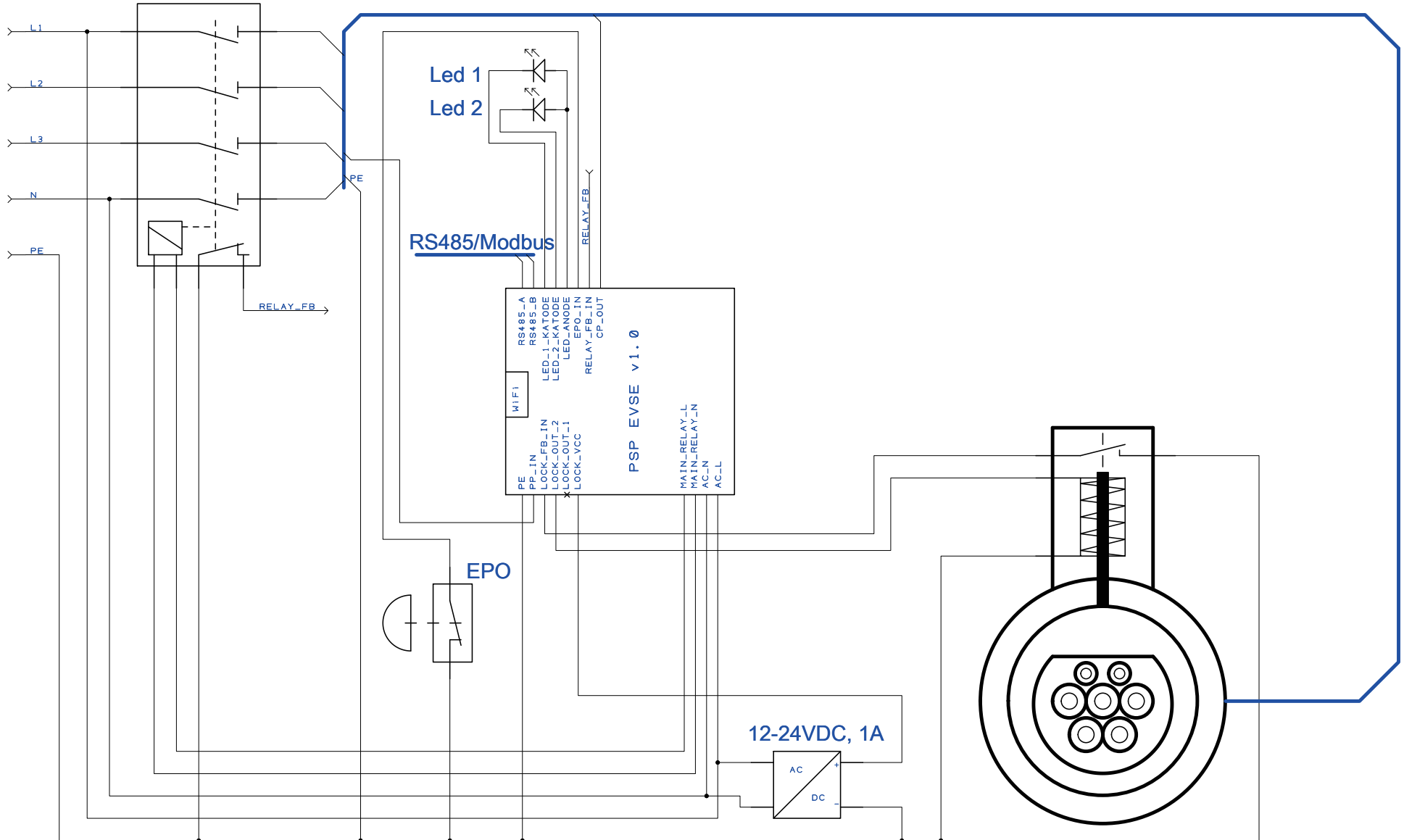
1


2

3

4

### Stycznik / Main contactor



PROJECT: PSP EVSE v1.0		
DRAWING TITLE: Mode 3 case B, 3P, Solenoid		
DRAWN BY: PSPower		
SHEET: 1 OF 1	STATUS: Aktualny / Released	
DATE: 2021-12-16	INDEX: PSPEVSEv10_M3CB3PSL	

A

B

C

D

E

F

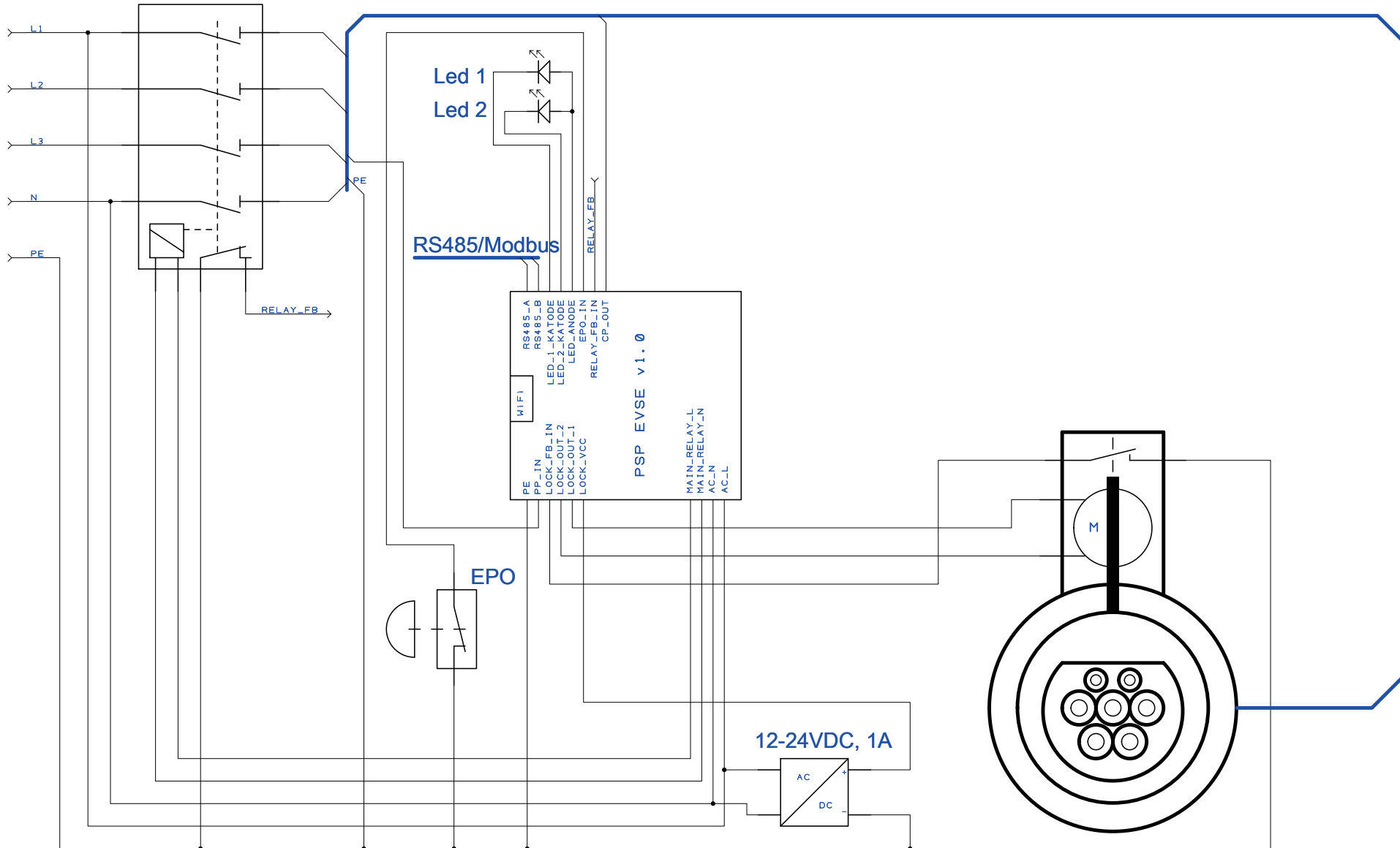
1


2

3

4

### Stycznik / Main contactor



PROJECT: PSP EVSE v1.0		
DRAWING TITLE: Mode 3 case B, 3P, Servomotor		
DRAWN BY: PSPower	REVISION: A	
SHEET: 1 OF 1	STATUS: Aktualny / Released	
DATE: 2021-12-16	INDEX: PSPEVSEv10_M3CB3PSM	

A

B

C

D

E

F

1

2

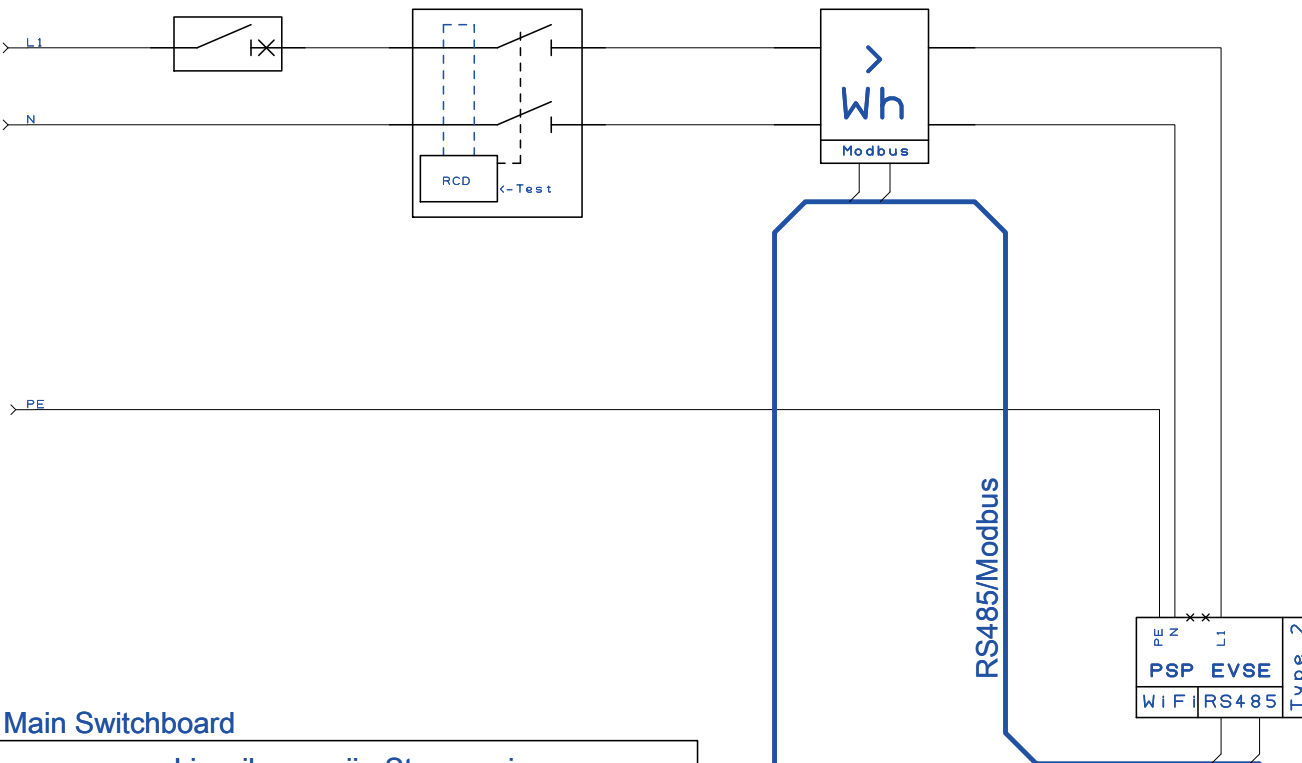
3

4

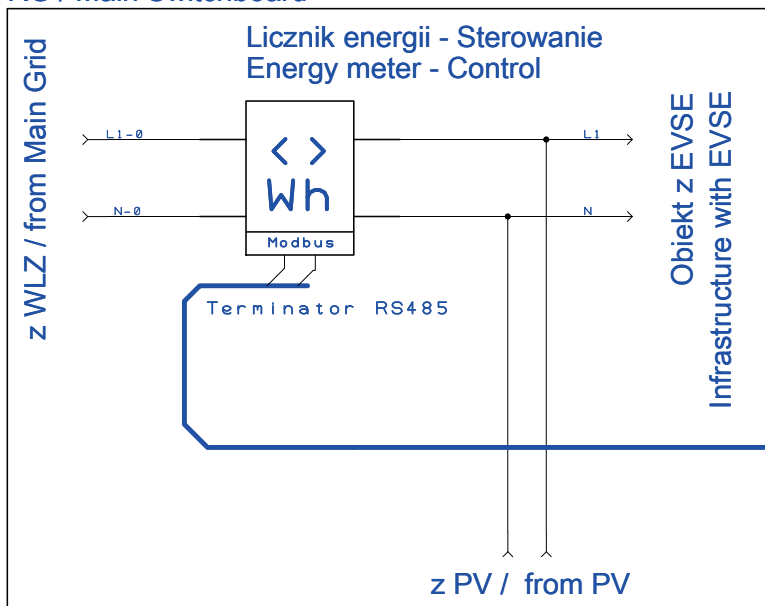
I >

RDC type B

Licznik energii - Statystyczny / Energy meter - Statistics



RG / Main Switchboard



PROJECT: PSP EVSE v1.0  
 DRAWING TITLE: EVSE 1P Modbus 1P  
 DRAWN BY: PSPower

REVISION: A



SHEET: 1 OF 1

STATUS: Aktualny / Released

DATE: 2021-12-15

INDEX: PSPEVSEv10\_EVSE1PM1PW

A

B

C

D

E

F

1

2

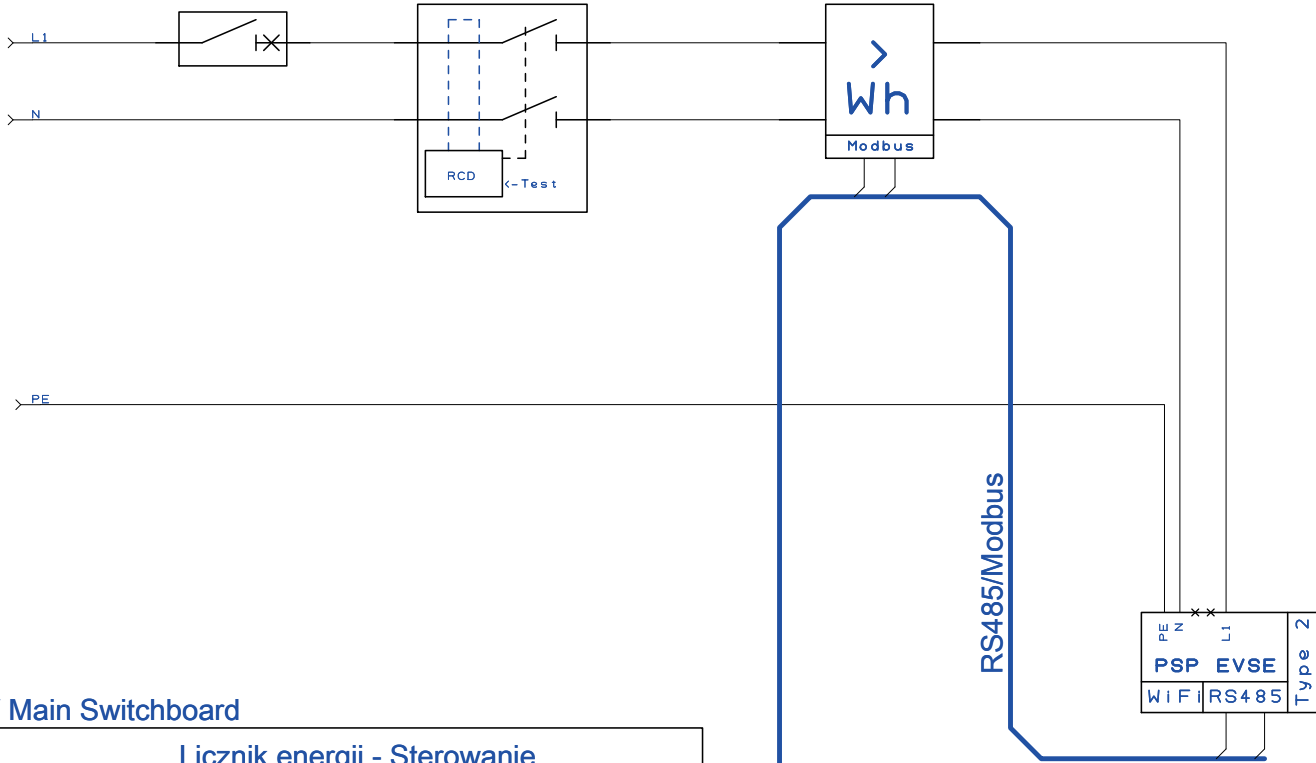
3

4

I >

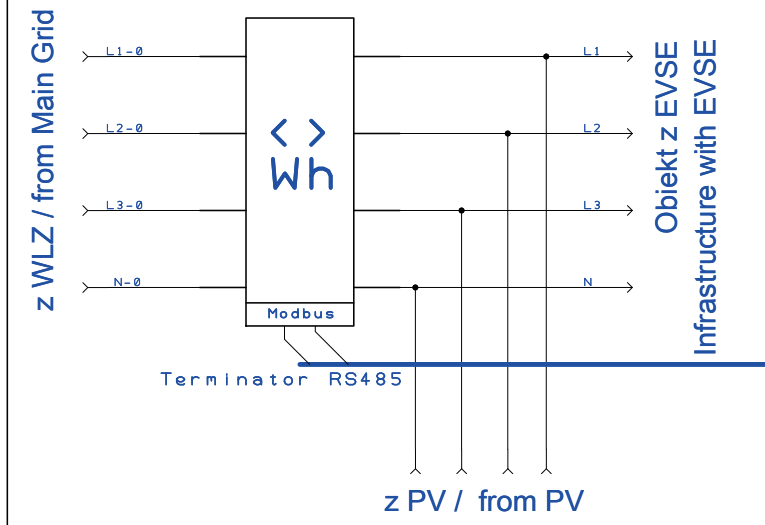
RDC type B

Licznik energii - Statystyczny / Energy meter - Statistics




RG / Main Switchboard

Licznik energii - Sterowanie  
Energy meter - Control



Obiekt z EVSE  
Infrastructure with EVSE

PROJECT: PSP EVSE v1.0		
DRAWING TITLE: EVSE 1P Modbus 3P		
DRAWN BY: PSPower		
REVISION: A		
SHEET: 1 OF 1	STATUS: Aktualny / Released	
DATE: 2021-12-15	INDEX: PSPEVSEv10_EVSE1PM3PW	



A

B

C

D

E

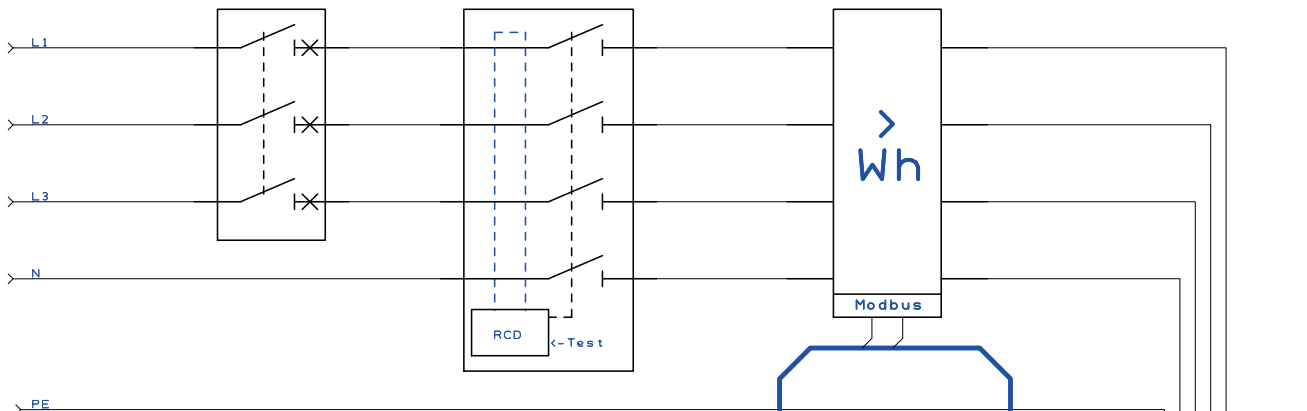
F

1

I &gt;

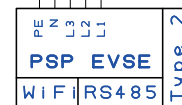
RDC type B

Licznik energii - Statystyczny / Energy meter - Statistics



2

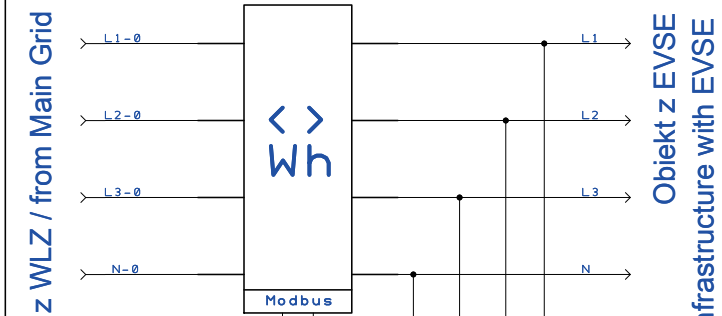
RS485/Modbus



RG / Main Switchboard

Licznik energii - Sterowanie  
Energy meter - Control

3



Terminator RS485

z PV / from PV

4

PROJECT: PSP EVSE v1.0  
 DRAWING TITLE: EVSE 3P Modbus 3P  
 DRAWN BY: PSPower

REVISION: A



SHEET: 1 OF 1

STATUS: Aktualny / Released

DATE: 2021-12-15

INDEX: PSPEVSEv10\_EVSE3PM3PW

A

B

C

D

E

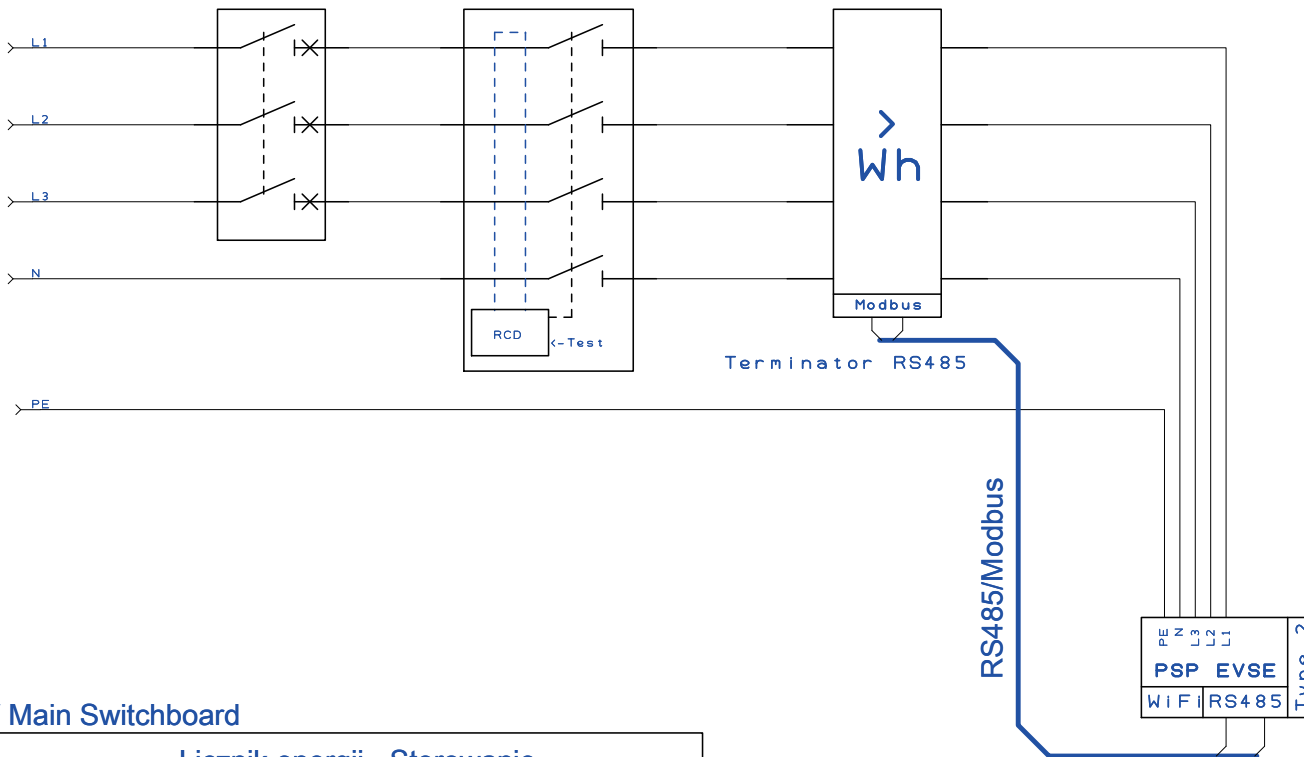
F

1

I >

RDC type B

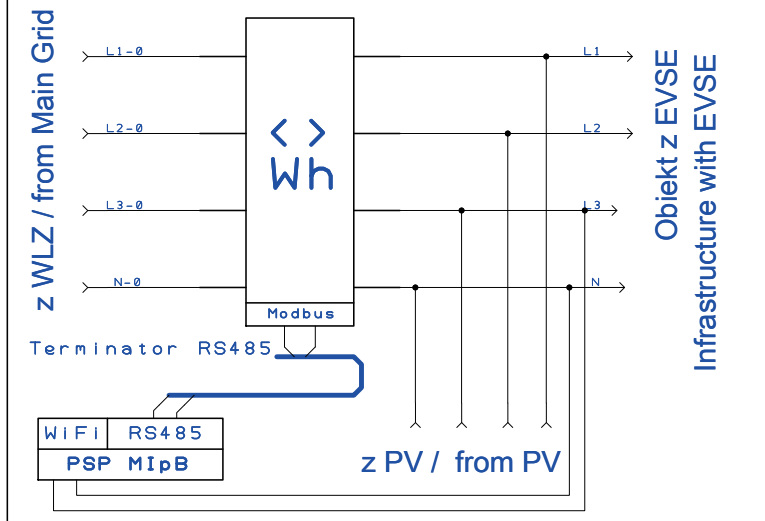
Licznik energii - Statystyczny / Energy meter - Statistics



2

RG / Main Switchboard

Licznik energii - Sterowanie  
Energy meter - Control



3

4

PROJECT: PSP EVSE v1.0  
 DRAWING TITLE: EVSE 3P Modbus, WiFi, 3P  
 DRAWN BY: PSPower

REVISION: A



SHEET: 1 OF 1      STATUS: Aktualny / Released

DATE: 2021-12-15

INDEX: PSPEVSEv10\_EVSE3PMW3PW

A

B

C

D

E

F

1

2

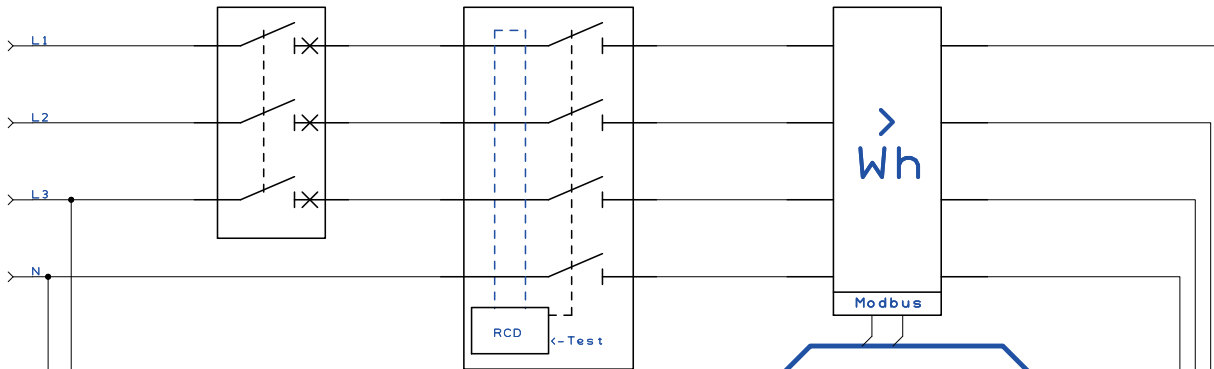
3

4

I >

RDC type B

Licznik energii - Statystyczny / Energy meter - Statistics

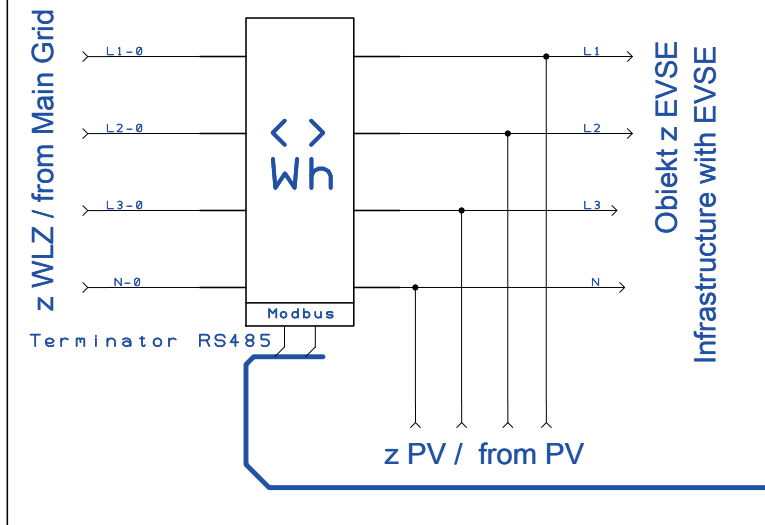


RS485/Modbus



RG / Main Switchboard

Licznik energii - Sterowanie  
Energy meter - Control



PROJECT: PSP EVSE v1.0  
 DRAWING TITLE: EVSE 3P Wifi, 3P  
 DRAWN BY: PSPower

REVISION: A



SHEET: 1 OF 1

STATUS: Aktualny / Released

DATE: 2021-12-15

INDEX: PSPEVSEv10\_EVSE3PW3PW